

Grosfillex

*Havana Barstool with Arms!*

*Wicker  
Texture  
without the  
Maintenance!*



Espresso  
(shown)



Charcoal



Tobacco



White



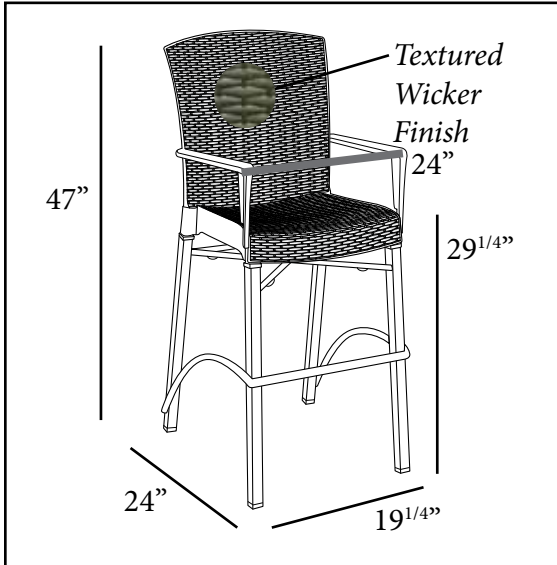


**E  
X  
T  
E  
R  
I  
O  
R**

*New!*

# Havana Classic Barstool with Arms

**Tested and certified in compliance with the ASTM F 1561-03 Class B performance standard for commercial use**



**Features & Benefits** **Warranty: 3 Yrs.**

- Barstool with armrests for extra comfort!
- The All-Weather Wicker performance, without the maintenance!
- A product of Grosfillex MPC Technology®
- Rated to 300 lbs. for safe use in commercial areas.
- Texture will not harbor dirt, sand, food, bacteria nor fungi.
- Easy to clean with soap or mild detergent and water.
- 1 1/4" square powder coated aluminum legs with hard wearing footpads for structural integrity.
- Color-fast - no resin strand to unravel.
- Made in the U.S.A. from U.S. and imported parts.



**Product Specifications**

Product Description	Reference Number	Color	UPC Code	Weight Each (lbs.)	Master Pack	Master Pack Volume (cu. ft.)	Suggested List Price \$
New! Havana Classic Barstool with Arms	48260002	Charcoal	923048	29.60	1	18.72	\$320.00
	48260037	Espresso	923017	29.60	1	18.72	\$320.00
	48260004	White	923031	29.60	1	18.72	\$320.00
	48260008	Tobacco	923024	29.60	1	18.72	\$320.00